

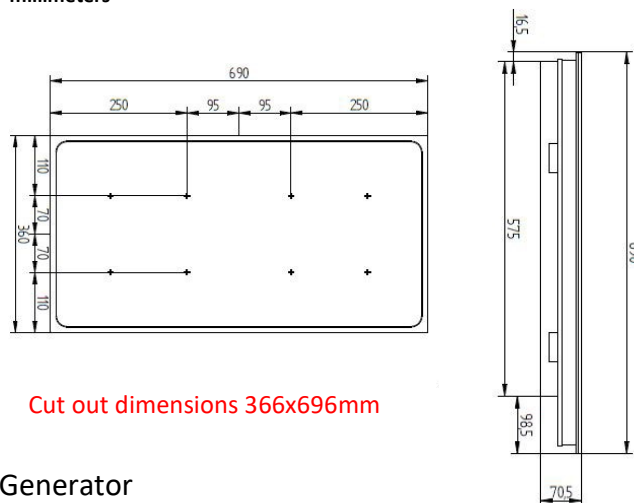


### TECHNICAL FEATURES

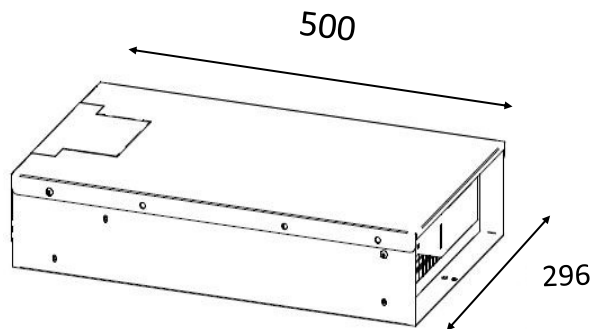
<b>External structure</b>	Stainless steel and vitroceramic glass
<b>Dimensions</b>	690x360
<b>Power</b>	8000W - 8x1000W
<b>Cooking surface</b>	Vitroceramic glass.
<b>Control panel</b>	<p>Remoted control panel kit. Incremental encoder and 4 digits display. Power settings (W) or temperature settings (°C). 220 setting temperature levels : from 30 to 250°C. Cable length : 1.5m (custom made cable in option).</p> <p>Front to back version : front / back settings. Side by side version : left / right zone settings.</p>
<b>Amp</b>	12A
<b>Functions</b>	On/Off, manual power setting (+/-) and timer control with 2 digits display (works for both timer and power)
<b>Power supply</b>	<p>Remoted generator board kit. Works between 250 and 490V / 40 and 70Hz. Compatible with TERA WATT energy optimizer. Generator cable length : 1.5m (custom cable in option).</p>
<b>Weight</b>	
<b>Standards</b>	Complies with European standards for safety of electrical appliances.
<b>Details &amp; Options</b>	Compatible with TERA WATT & SICO-TRONIC energy optimizer. Design and made in Burgundy (France).



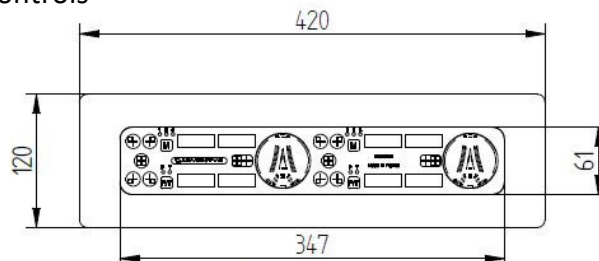
millimeters



Generator



Controls



**ADVENTYS**  
Route de Pagny - 21250 Seurre - France  
www.adventys.com  
sales@adventys.com  
T: +33 3 80 20 46 15

Important note

Adventys reserves the right to modify specifications without notice.

